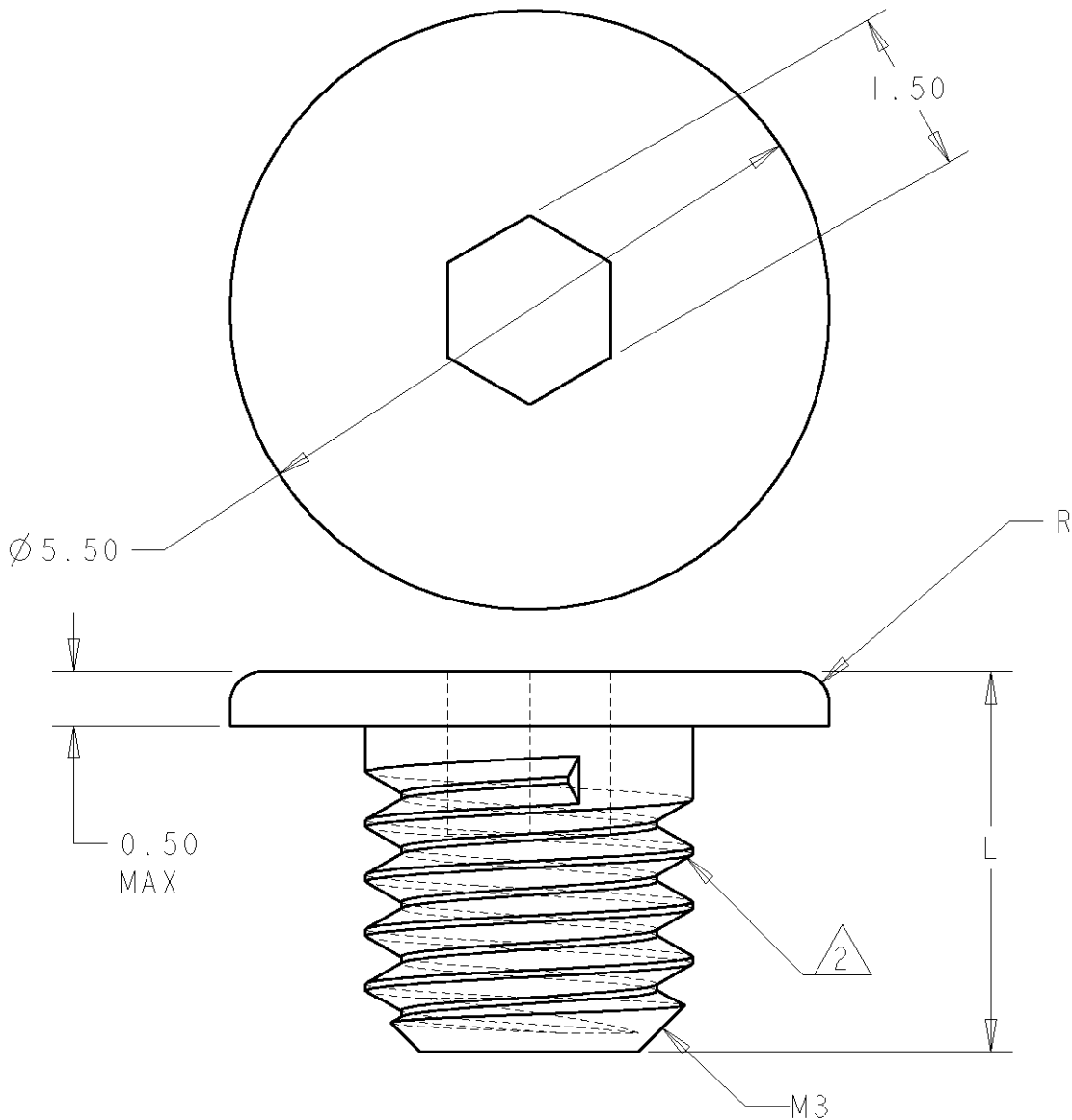


LOC	DIST	REVISIONS				
P	LTR	DESCRIPTION	DATE	DWN	APVD	
AD	00					
	2	REV PER EC 0S12-0526-04	27OCT2004	BC	GG	
	A	REV PER ECO-06-007850	04APR2006	BC	GG	
	B	ECO -XX-XXX	13MAR2007	RT	GG	



1 MATERIAL: STAINLESS STEEL

2 YELLOW THREAD LOCKER APPLIED ON PORTION OF THREADS.

5.50	1410946-2
3.50	1410946-1
L	PART NUMBER

THIS DRAWING IS UNPUBLISHED. BY TYCO ELECTRONICS CORPORATION. ALL RIGHTS RESERVED. COPYRIGHT 20

DIMENSIONS: mm	DWN R. TREA	03AUG2004	MATERIAL	1 -	FINISH	-
	CHK G.GRIFFITH	03AUG2004	Tyco Electronics Harrisburg, PA 17105-3608			
TOLERANCES UNLESS OTHERWISE SPECIFIED:	APVD G.GRIFFITH	03AUG2004				
0 PLC ±-	PRODUCT SPEC	-	NAME SOC. HD CAP SCREW CUSTOMIZED			
1 PLC ±-	APPLICATION SPEC	-	SIZE	CAGE CODE	DRAWING NO	RESTRICTED TO
2 PLC ±0.13	WEIGHT	-	A4	00779	C=1410946	-
3 PLC ±0.013	CUSTOMER DRAWING					
4 PLC ±-	SCALE 12:1 SHEET 1 OF 1 REV B					
ANGLES ±-						